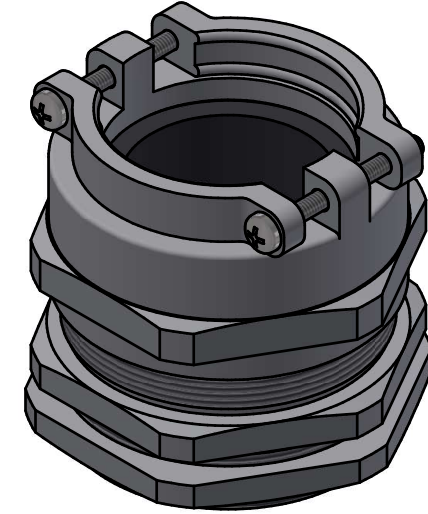
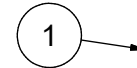
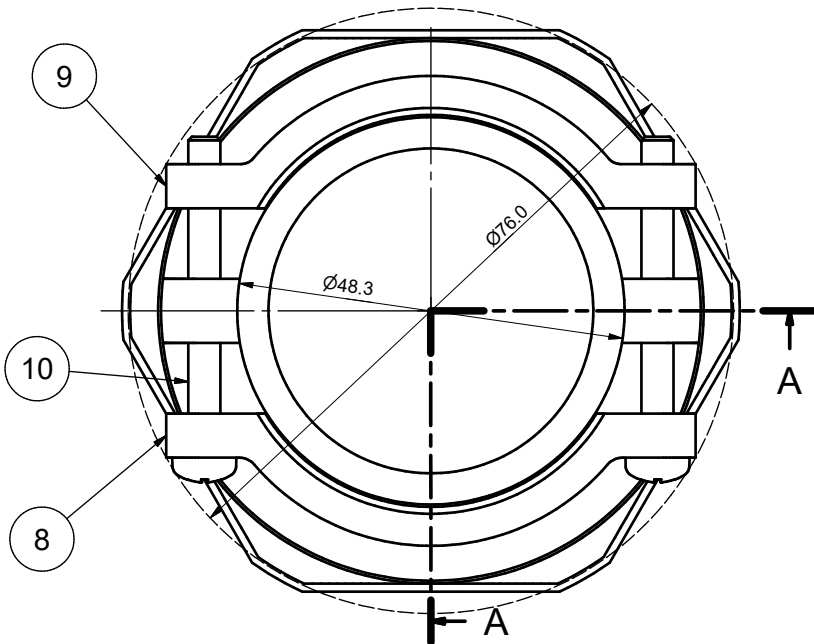


Revision History / Revizyon Tarihiçesi					
No Nu.	Date Tarih	Request No Talep Nu.	Revision Revizyon	Realised By Gerçekleştiren	Approved By Onaylayan
1	26.01.2021	3548	Ø52x1.78 o-ring has been changed as Ø55x2.0. Ø52x1.78 oring Ø55x2.0 olarak deęiřti.	K.SERT	N.ORAL AVCI



CLAMPING RANGE = Ø34.0 - Ø48.0mm
IP 68 - 5 Bar

DOUBLE SEAL Ø34.0 - Ø40.0mm
SINGLE SEAL Ø40.0 - Ø48.0mm



No/Nu.	Qty/Ad.	Part Name/Parça Adı	Material/Malzeme
11	1	M63x1.5 LOCKNUT	Brass(nickel plated)
10	2	M4x0.7x40 CROSS RECESSED RAISED CHEESE HEAD SCREWS ISO 7045 (TYPE-H)	Stainless Steel
9	1	M63x1.5 METAL CABLE GLAND WITH EXTERNAL STRAIN RELIEF CLAMP (M4x0.7)	Brass(nickel plated)
8	1	M63x1.5 METAL CABLE GLAND WITH EXTERNAL STRAIN RELIEF CLAMP (WITHOUT THREAD)	Brass(nickel plated)
7	1	M63x1.5 METAL CABLE GLAND WITH EXTERNAL STRAIN RELIEF CAP	Brass(nickel plated)
6	1	M63 INNER SAEI (Ø40.5) (34-40)	CR
5	1	M63 SEAL ANGLE (40-48)	CR
4	1	M63 PLASTIC INSERT	PA 6
3	1	O-RING Ø55x2.0	NBR
2	1	O-RING Ø54x2.6mm	NBR
1	1	M63x1.5 METAL CABLE GLAND WITH EXTERNAL STRAIN RELIEF BODY (M63) TL15	Brass(nickel plated)

Part List / Parça Listesi			
Drawing Number / Resim No	11512	Reference Number / Ref. No	-
1st Discl.Request #/Y.Yn.Tal.No	2783	Designed by / Tasarlayan	Kübra SERT
Bimed Code / Bimed Kodu	BMBC-075-DS-L(GC)(TL15)(34-48)	Approved by / Onaylayan	Nursel ORAL
M63x1.5 METAL CABLE GLAND WITH EXTERNAL STRAIN RELIEF TL15 (34-48) (DS)		Date / Tarih	01.10.2019
WITH LOCKNUT		Undetined Tolerances acc.to/ Belirtilmeyen Toleranslar (DIN 7168-f)	
M63x1.5 METAL KELEPÇELİ KABLO RAKORU TL15 (34-48) (DS) SOMUNLU		Material / Malzeme	Nominal size ranges Anma ölçü aralıkları
bimed		Volume/Hacim	Value Deger
		Mass / Ağırlık	
110664 mm^3		644.2 g	0.5s...s3 ±0.05
			3<...s6 ±0.05
			6<...s30 ±0.10
			30<...s120 ±0.15
			120<...s400 ±0.20